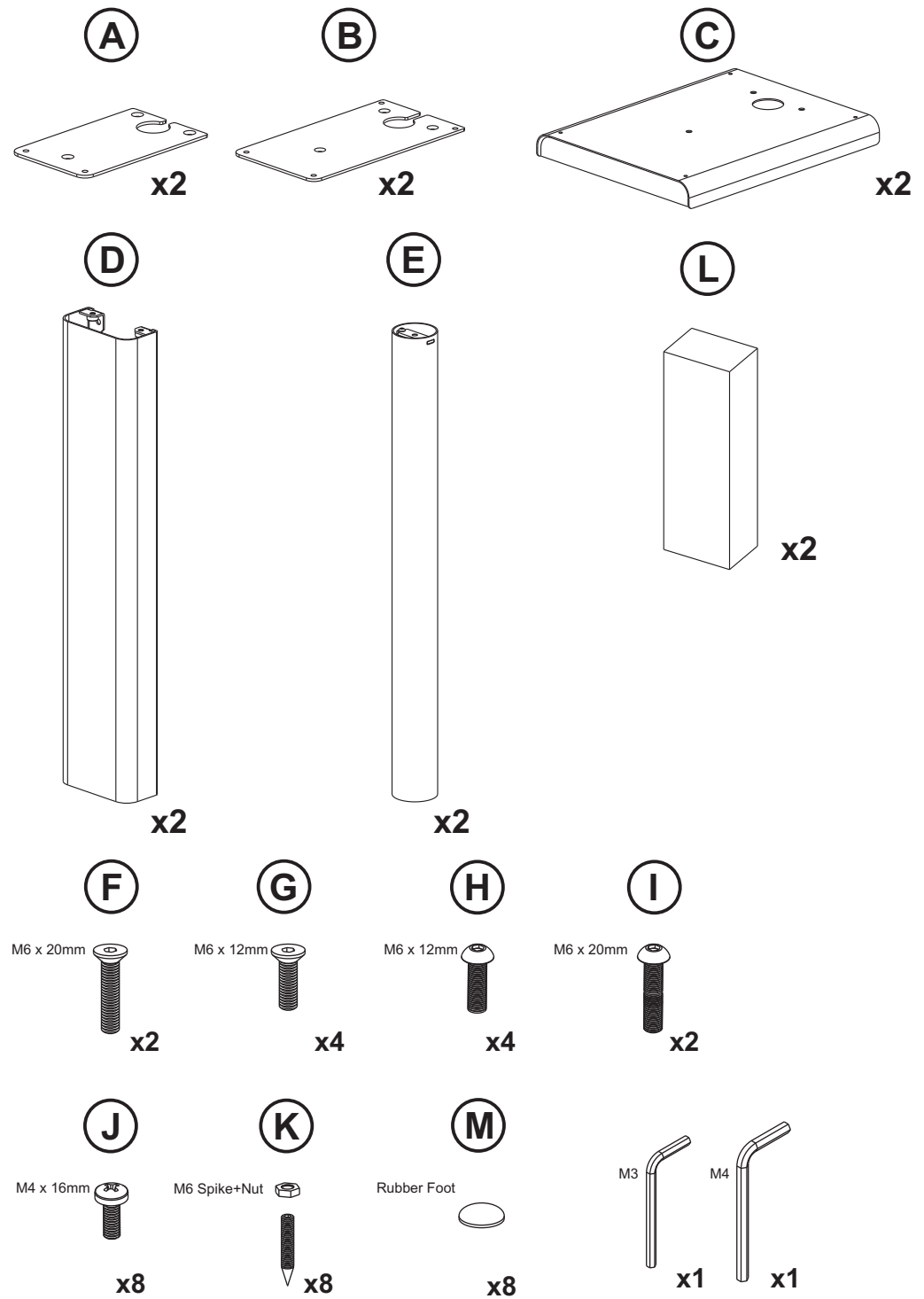




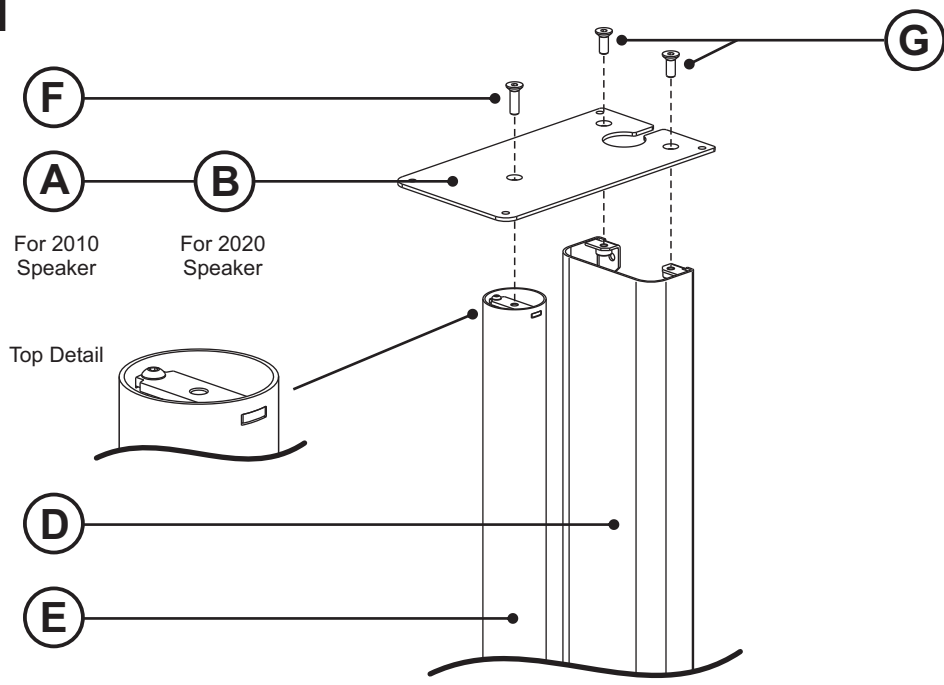
Q2000

Series Speaker Stands

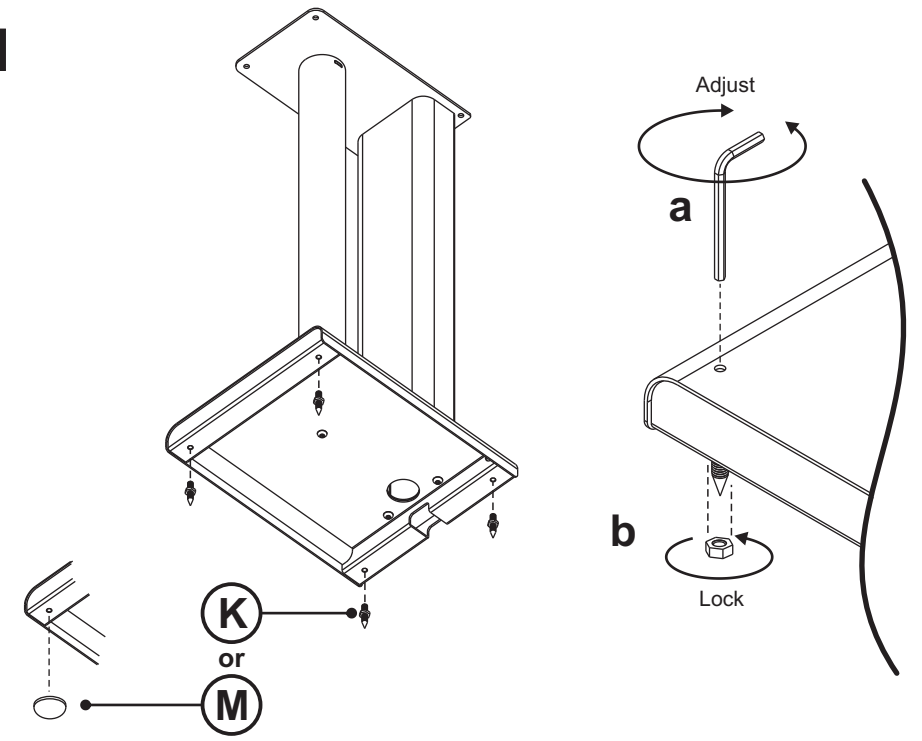
www.q-acoustics.co.uk



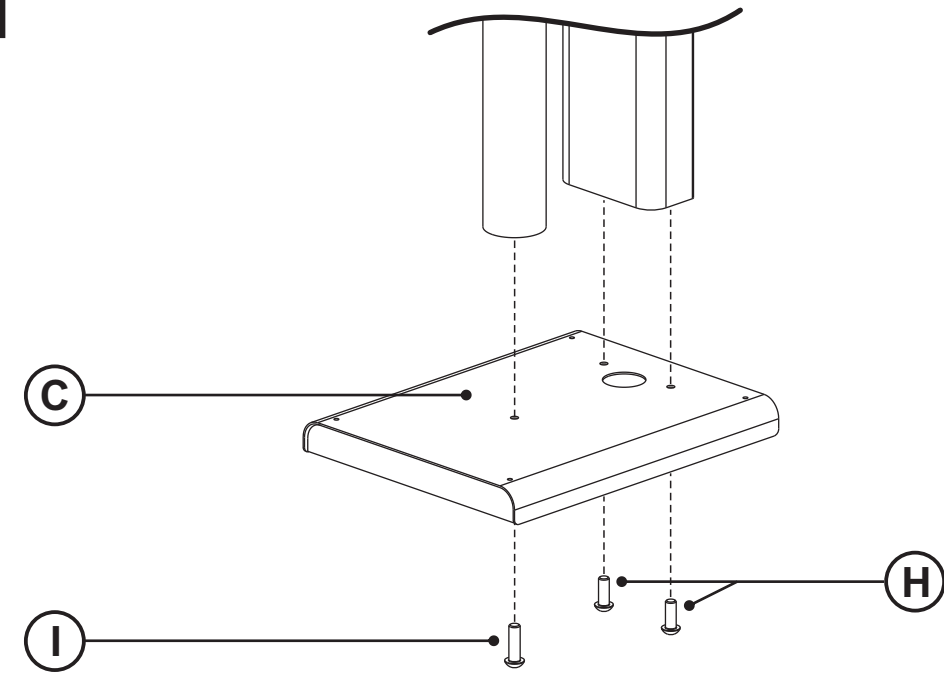
01



03



02



04

